

# Ilmari 2003 Housekeeper Unit

TODO:

~~Power-supply~~

~~14V bus -> 2.9V logic power~~

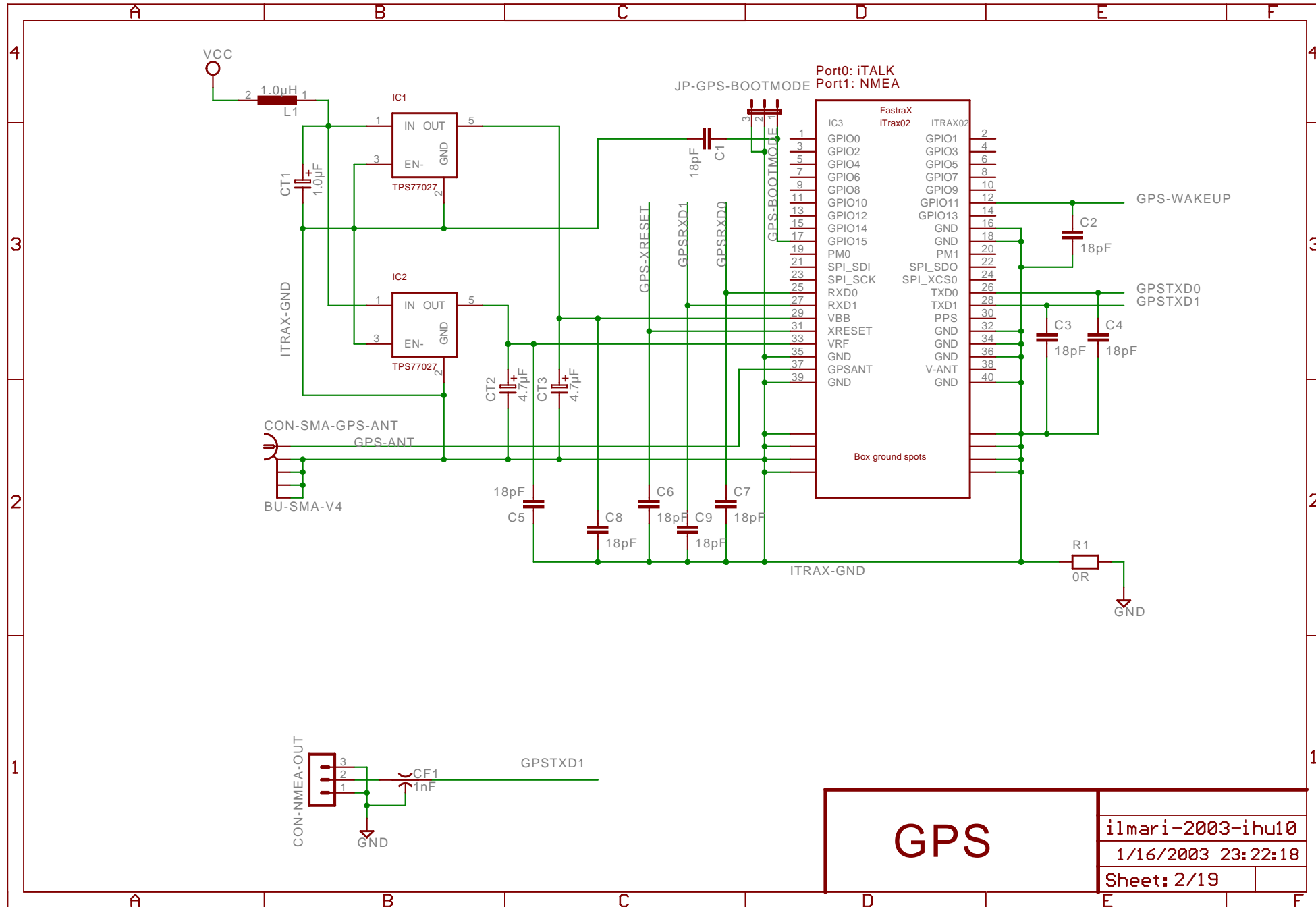
~~-> 5-10V CMOS IO~~

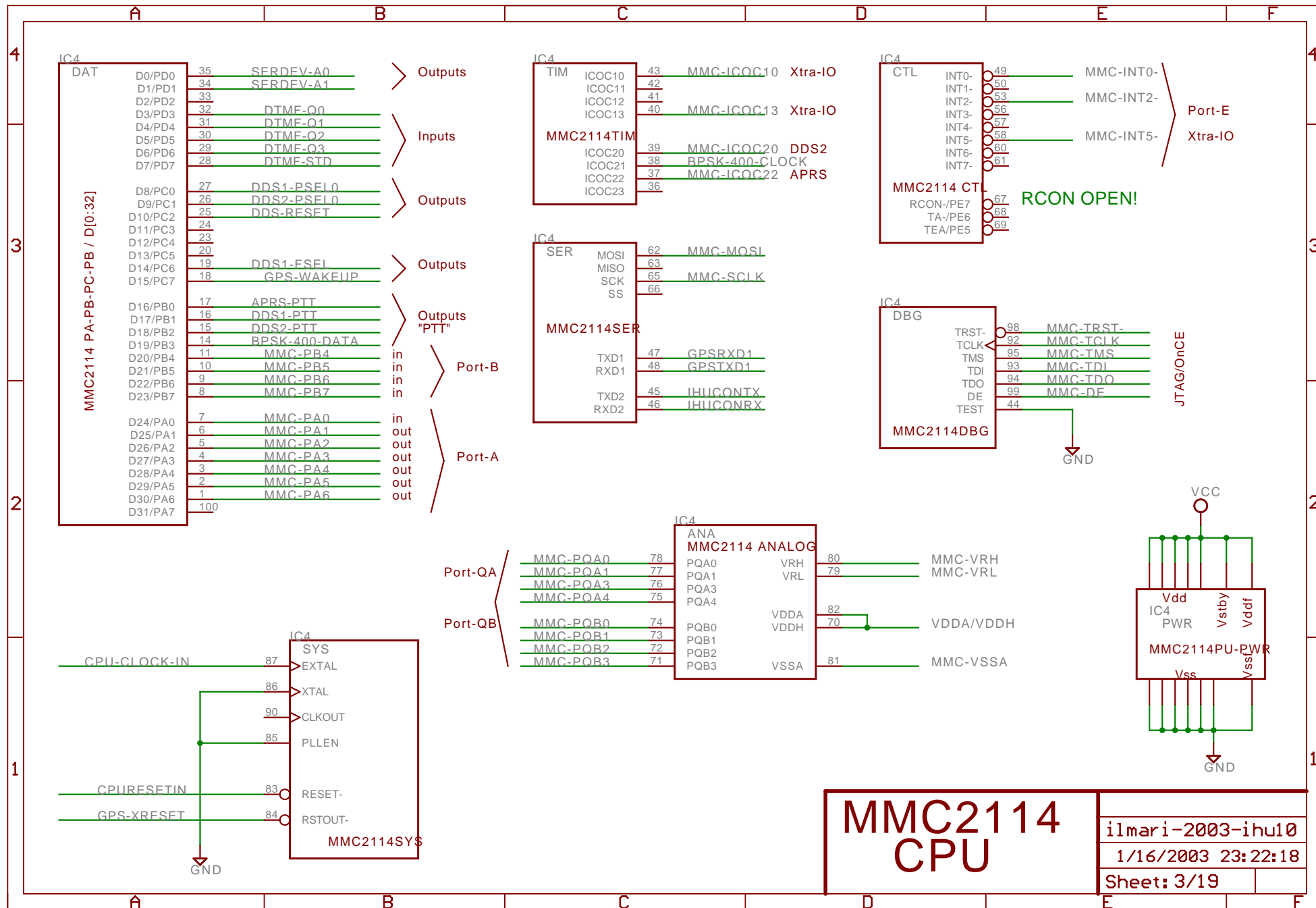
48 MHz oscillator ??

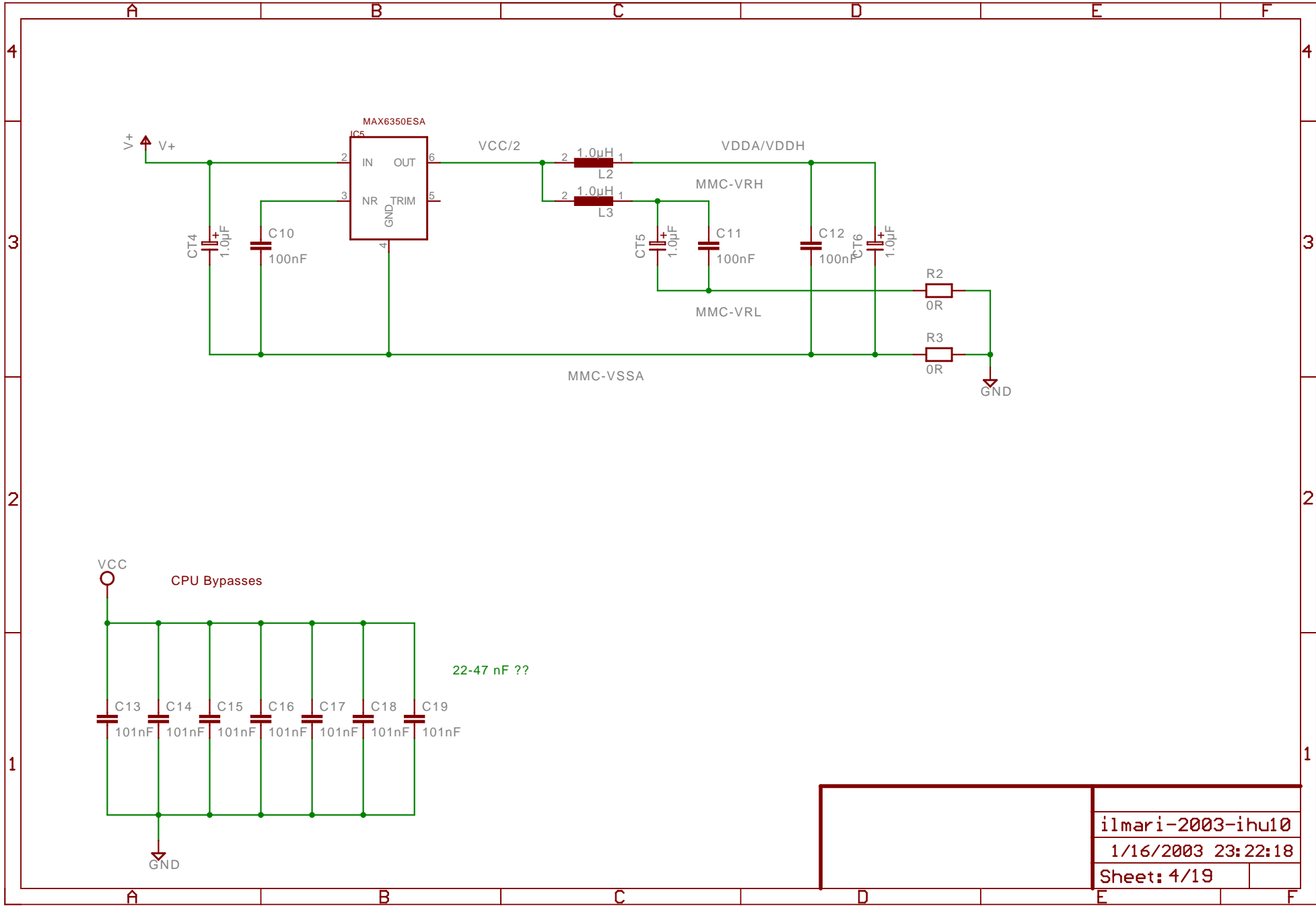
ilmari-2003-ihu10

1/16/2003 23:22:18

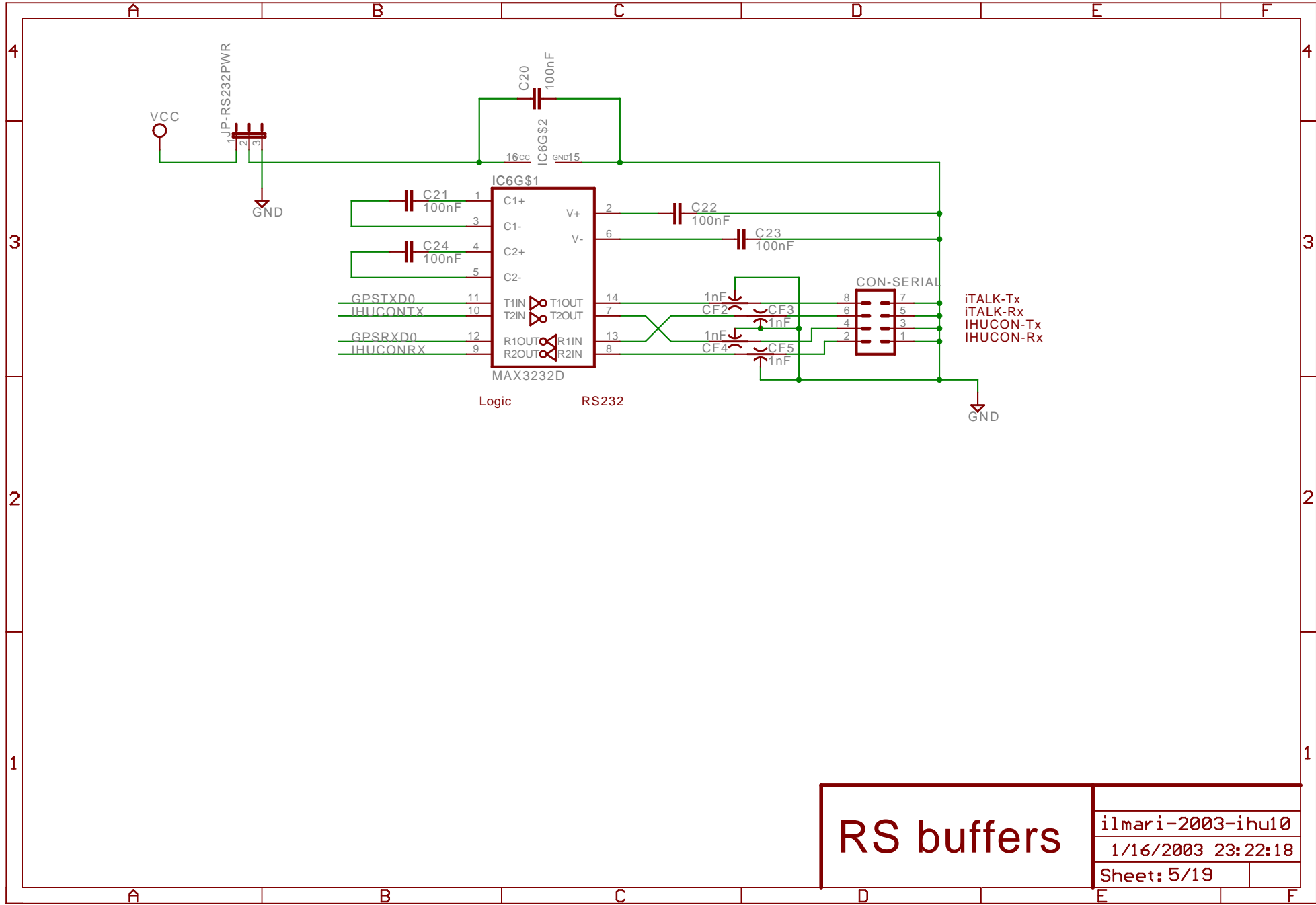
Sheet: 1/19



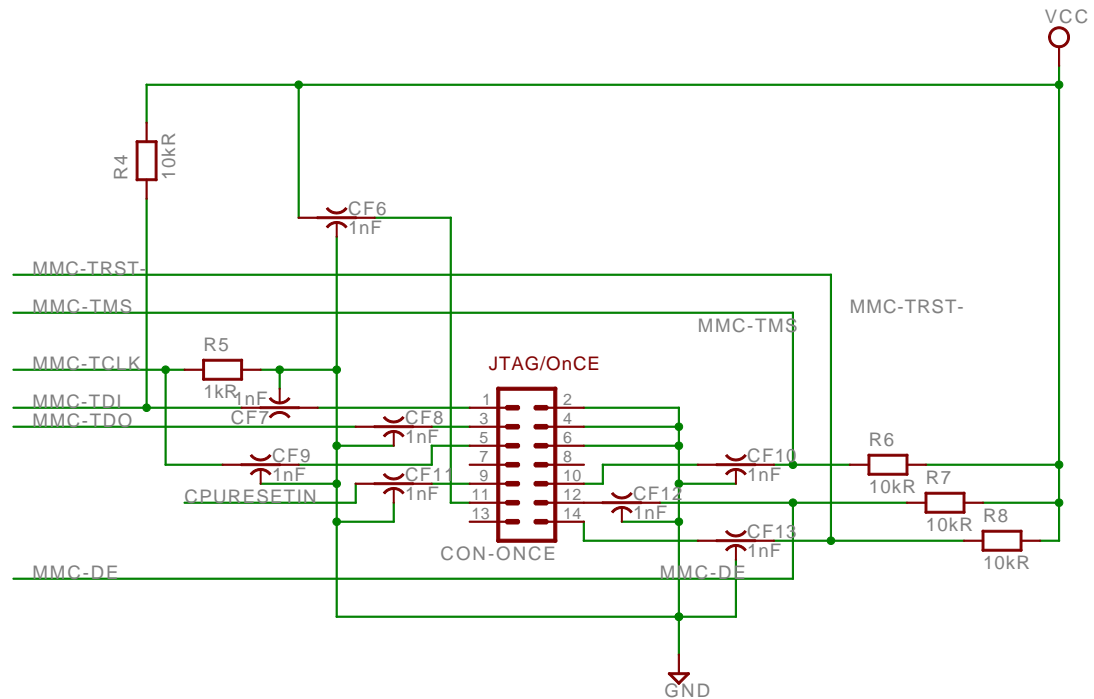




ilmari-2003-ihu10	
1/16/2003 23:22:18	
Sheet: 4/19	

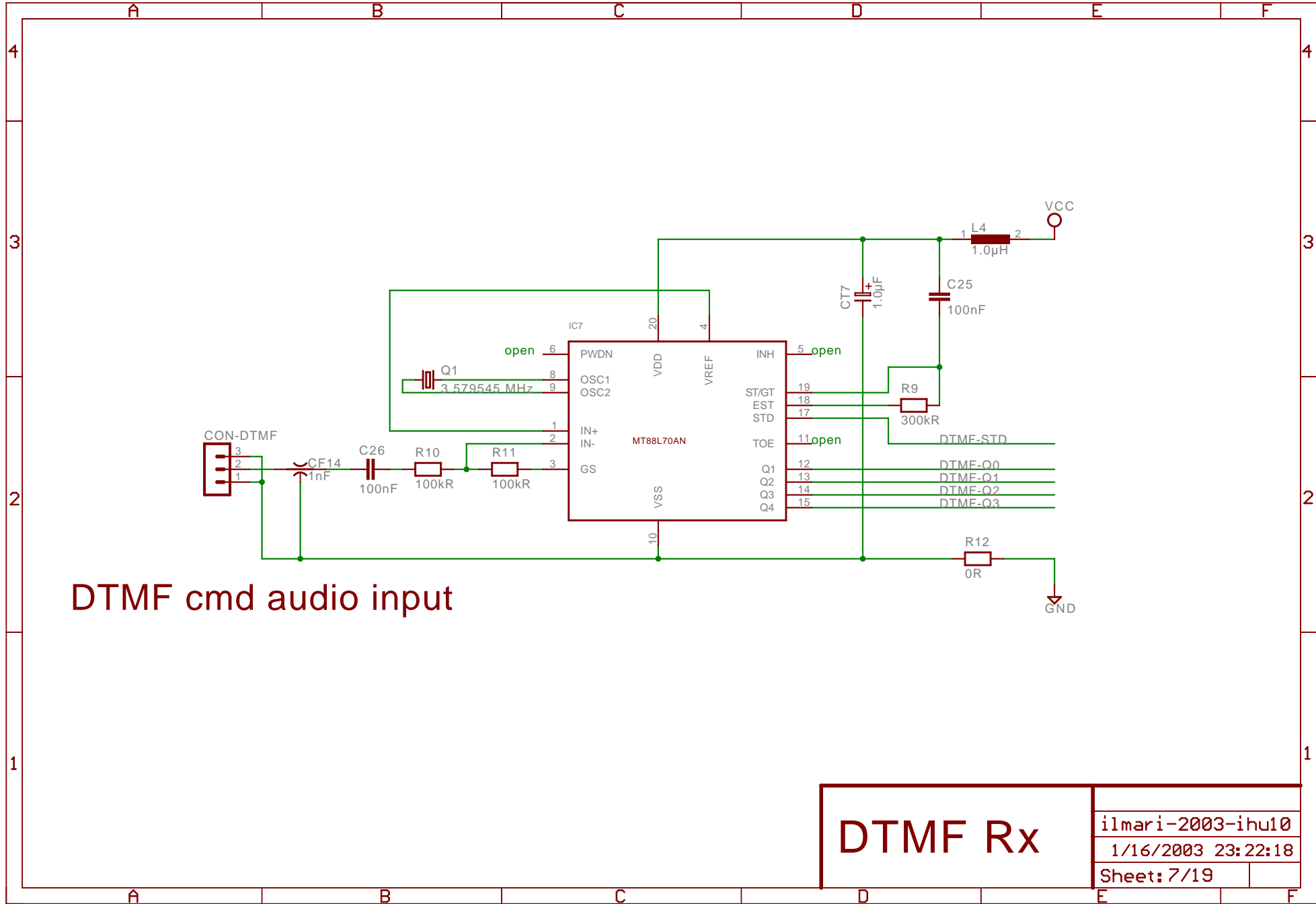


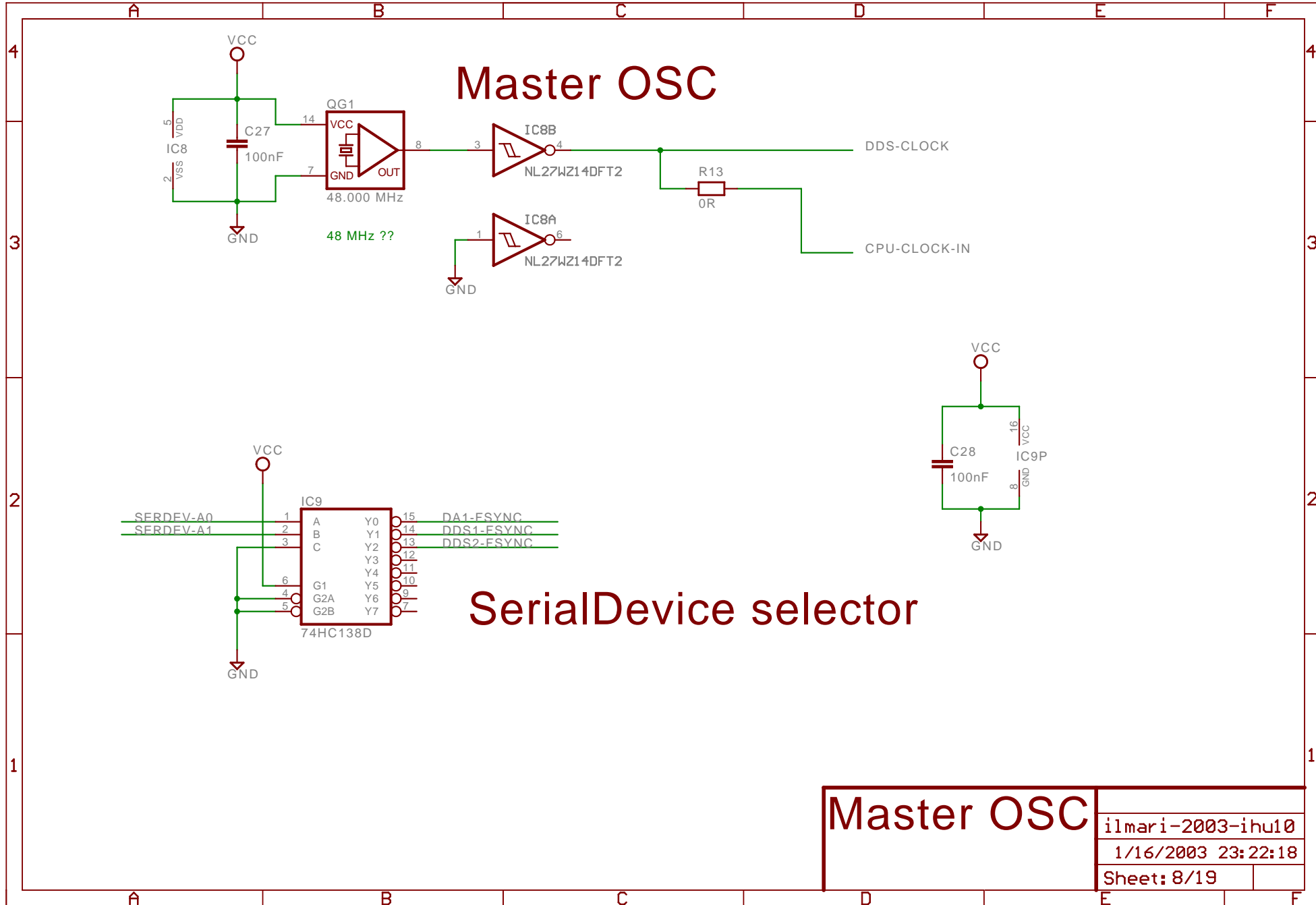
<h1>RS buffers</h1>	ilmari-2003-ihu10	
	1/16/2003 23:22:18	
	Sheet: 5/19	

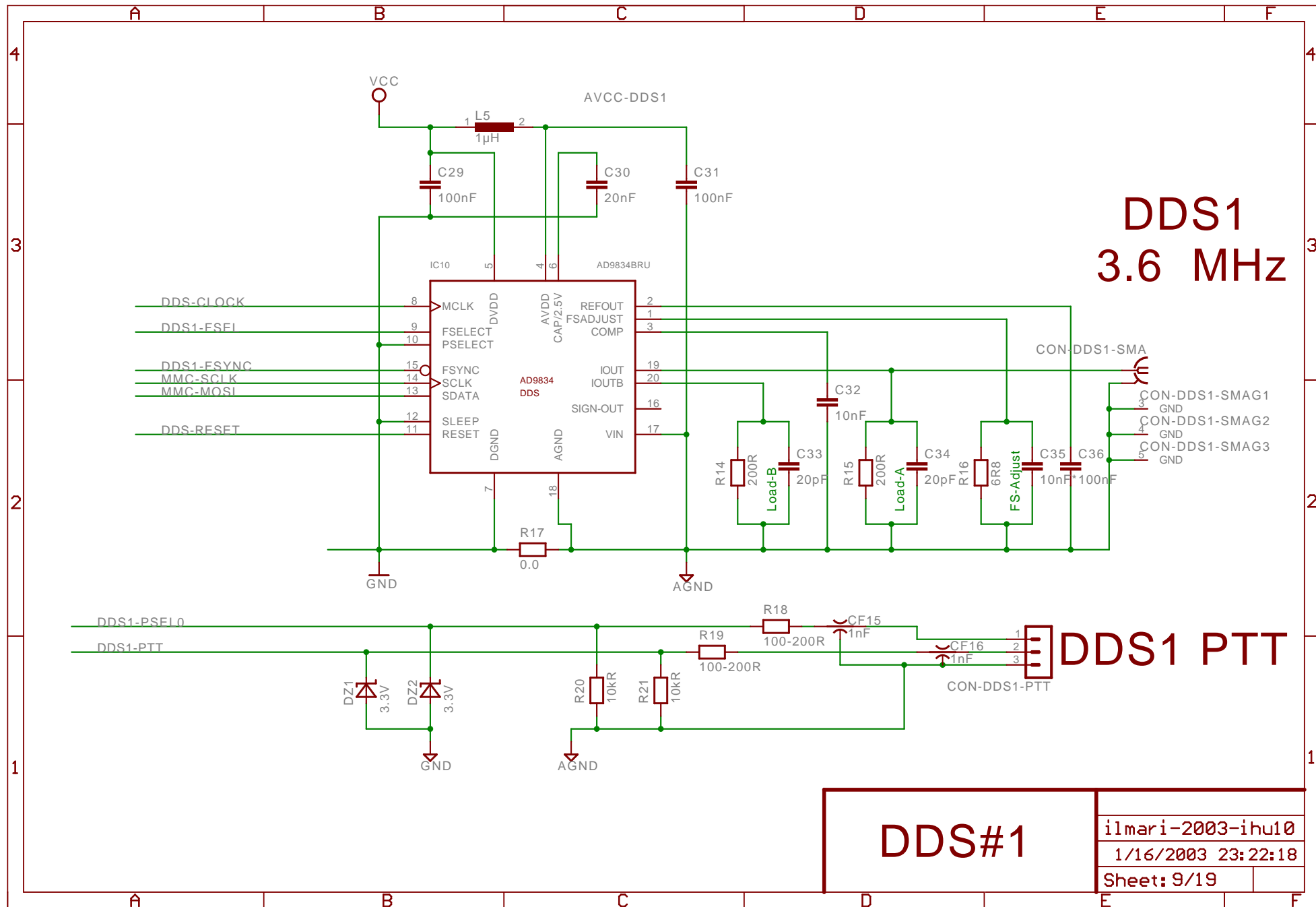


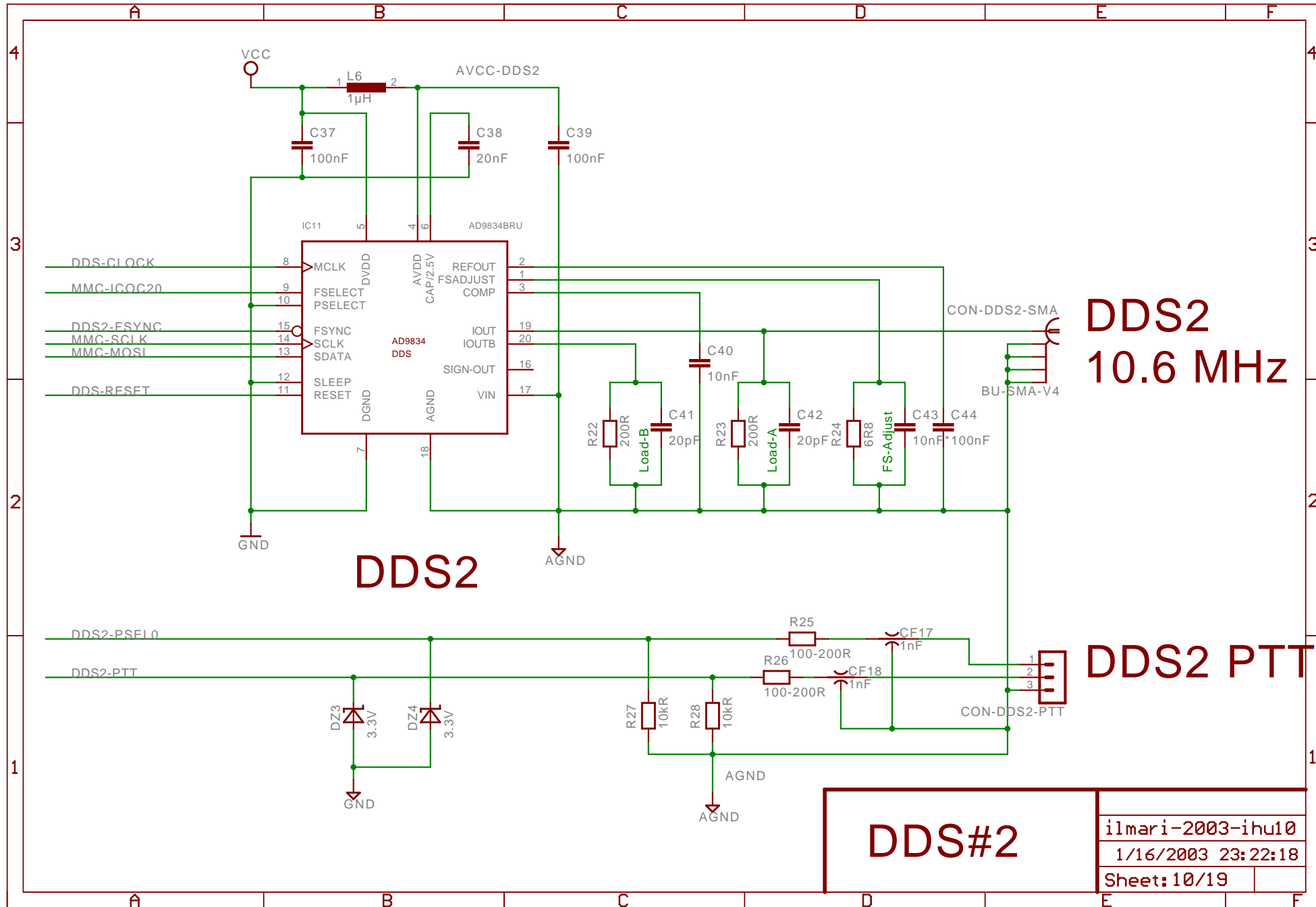
# CPU debugging interface

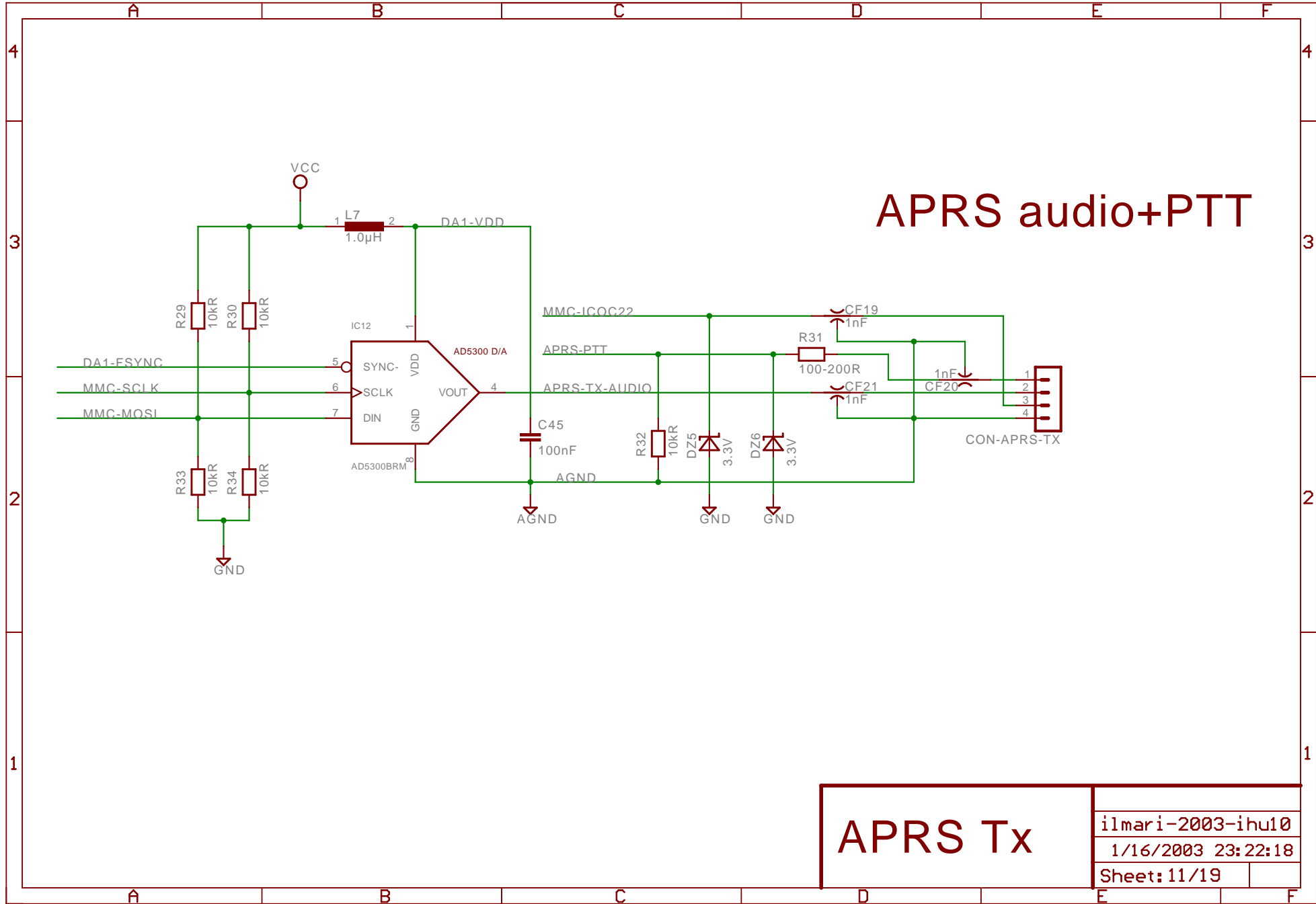
JTAG/OnCE	ilmari-2003-ihu10	
	1/16/2003 23:22:18	
	Sheet: 6/19	

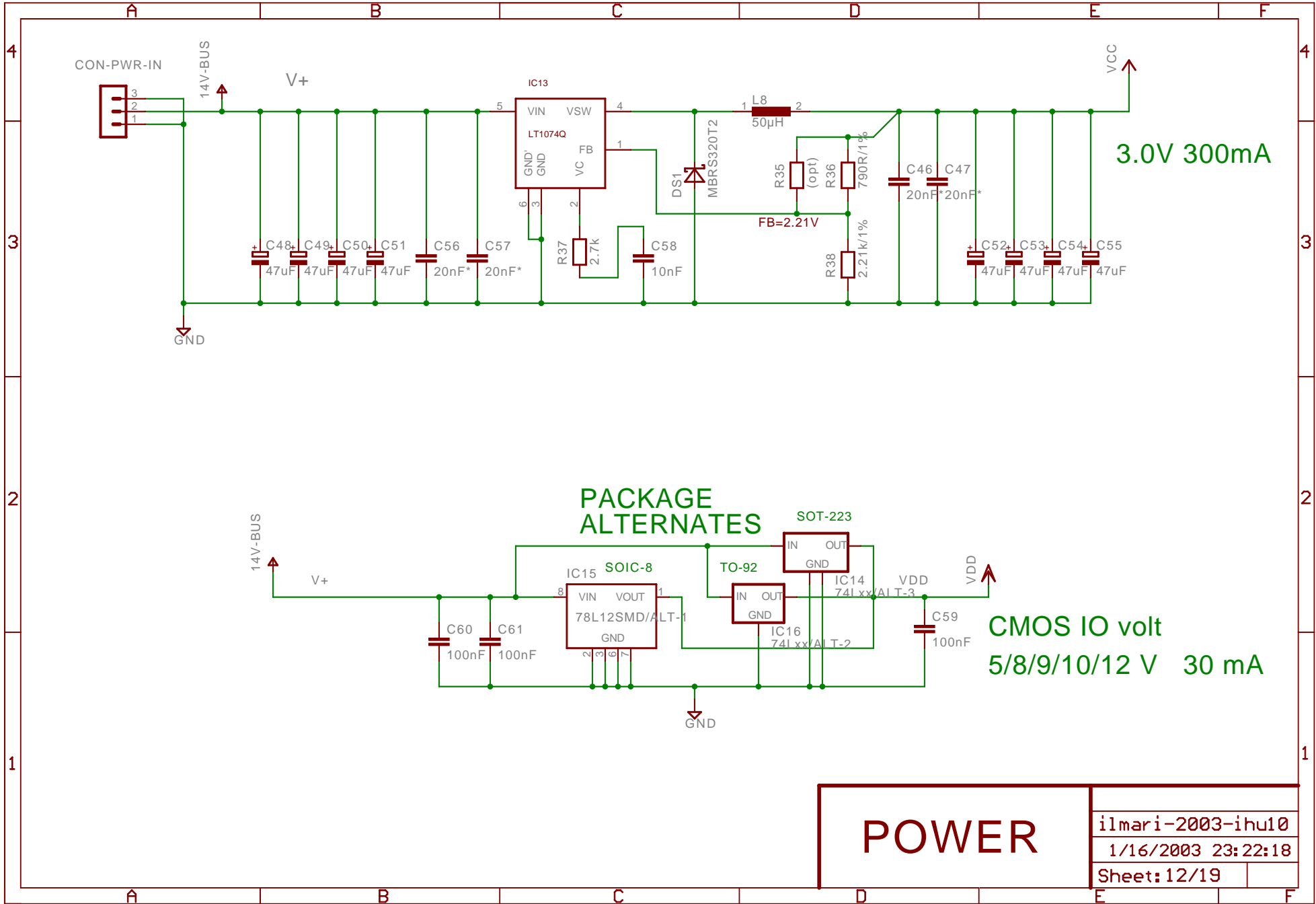




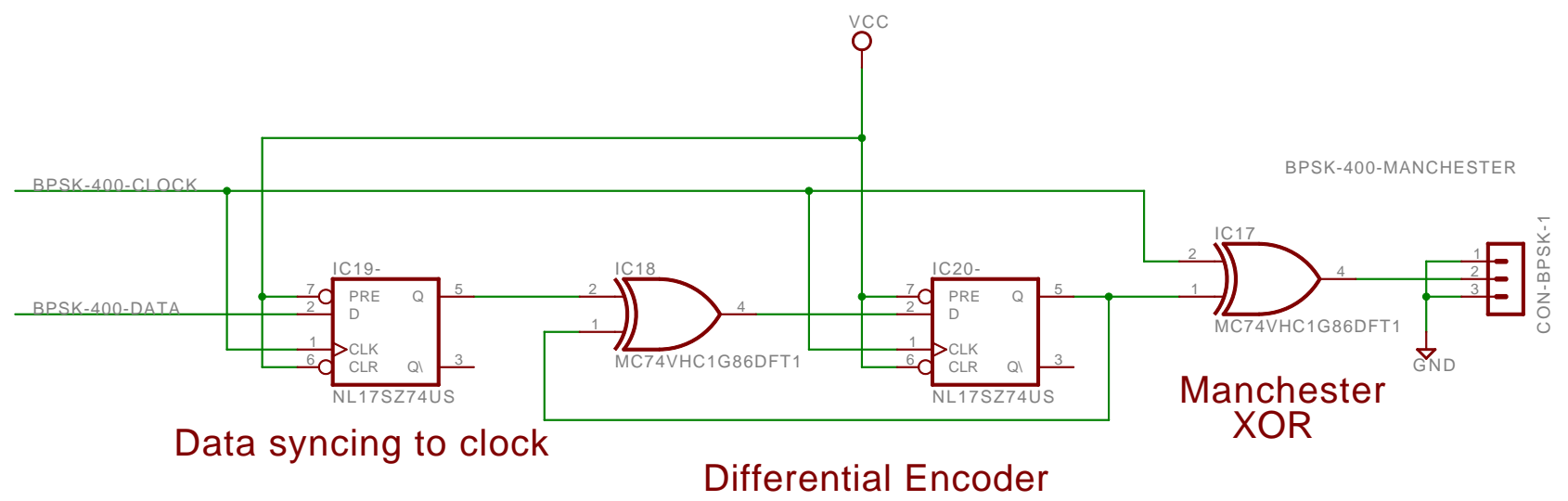








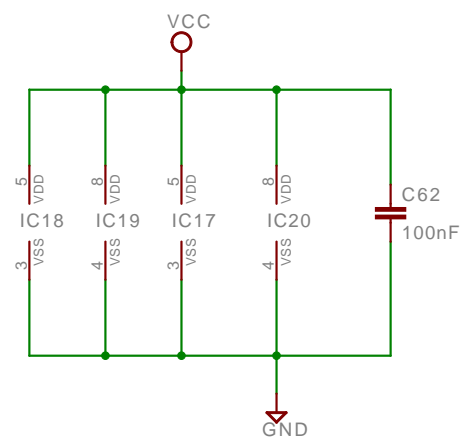
# P3-style Manchester Encoder



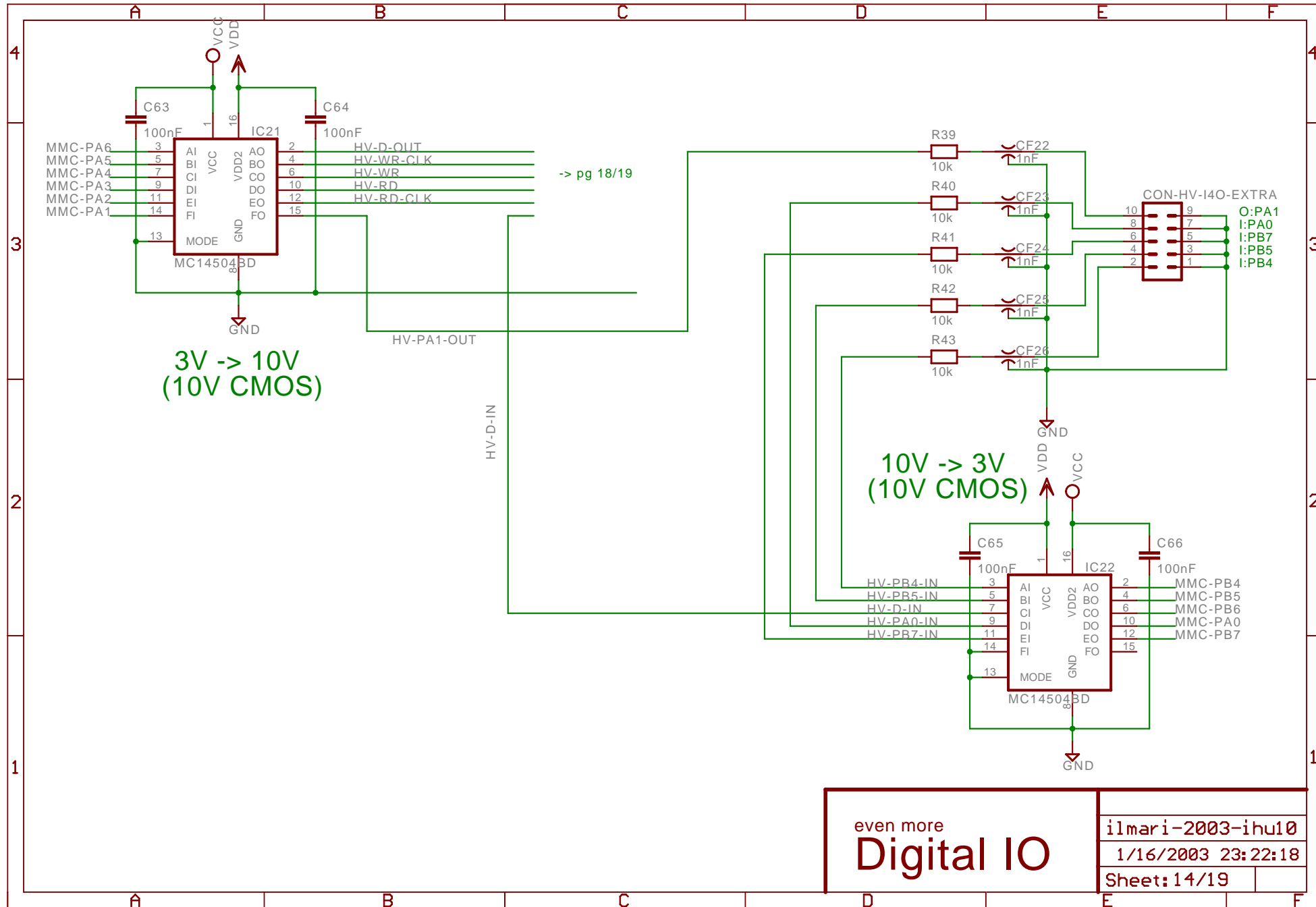
Data syncing to clock

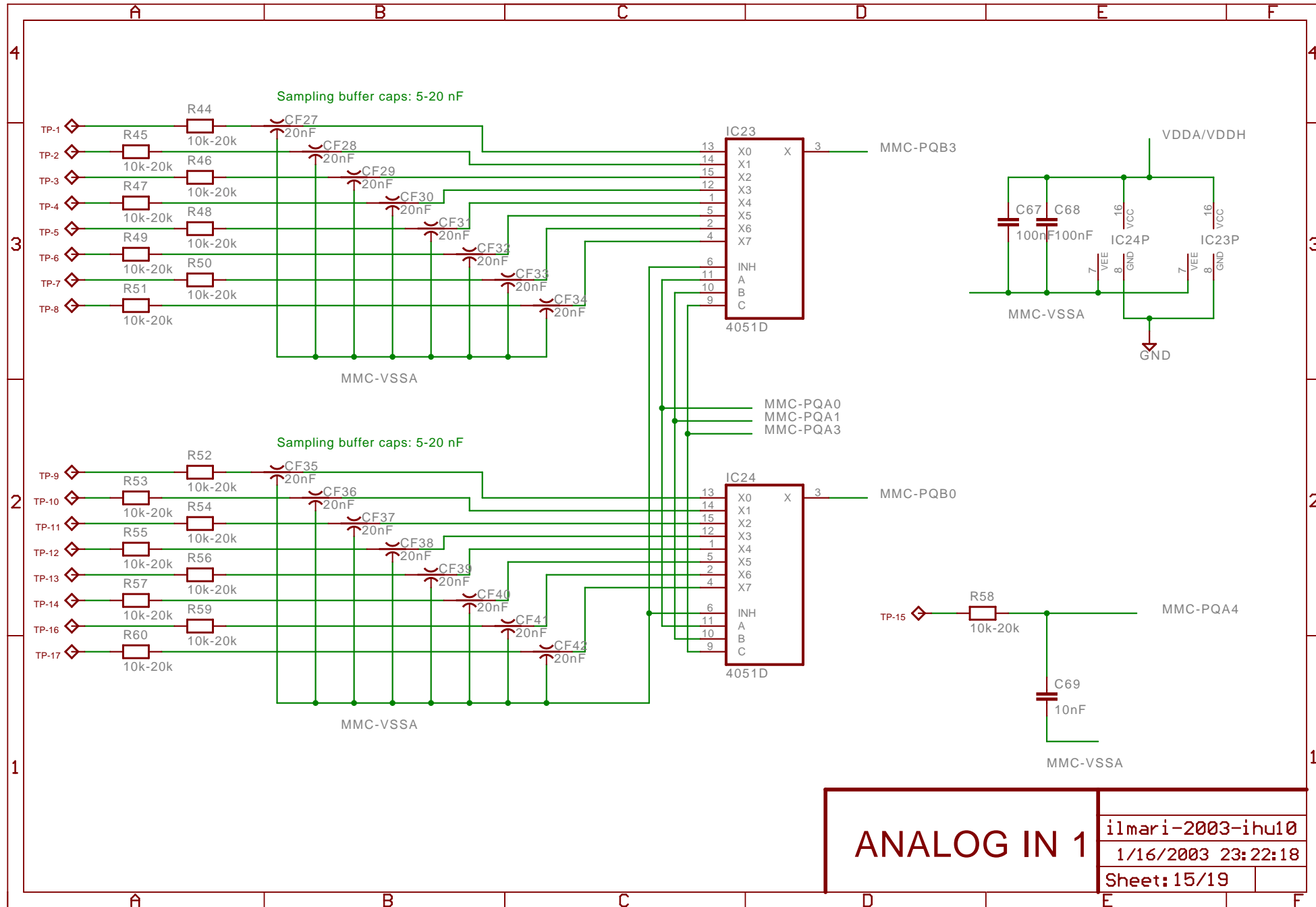
Differential Encoder

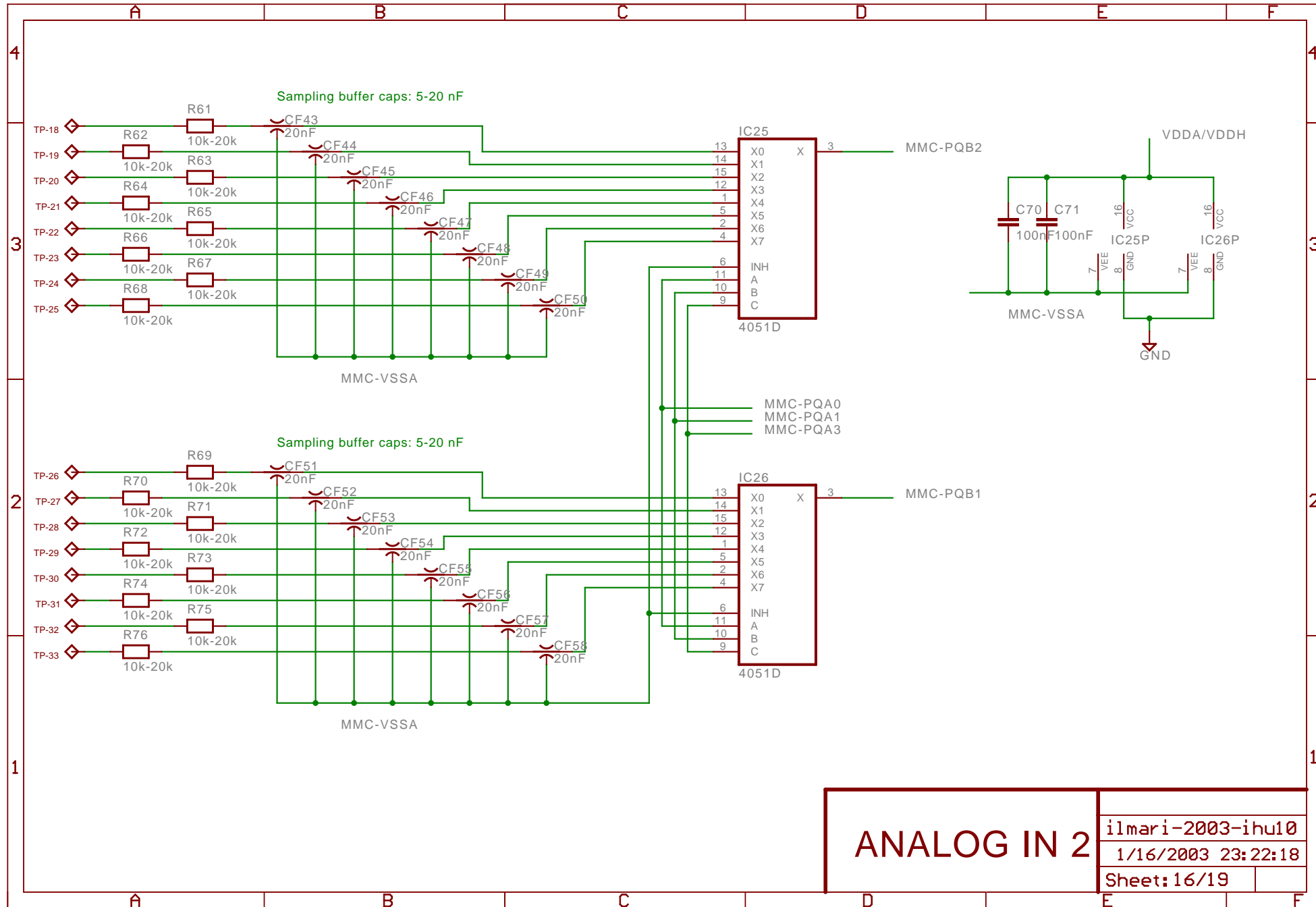
Manchester XOR



<b>Manchester Encoder</b>	ilmari-2003-ihu10	
	1/16/2003 23:22:18	
	Sheet: 13/19	







<b>ANALOG IN 2</b>	ilmari-2003-ihu10	
	1/16/2003 23:22:18	
	Sheet: 16/19	

